

S10 System Weighing Indicator

S10-50 Truck Indicator

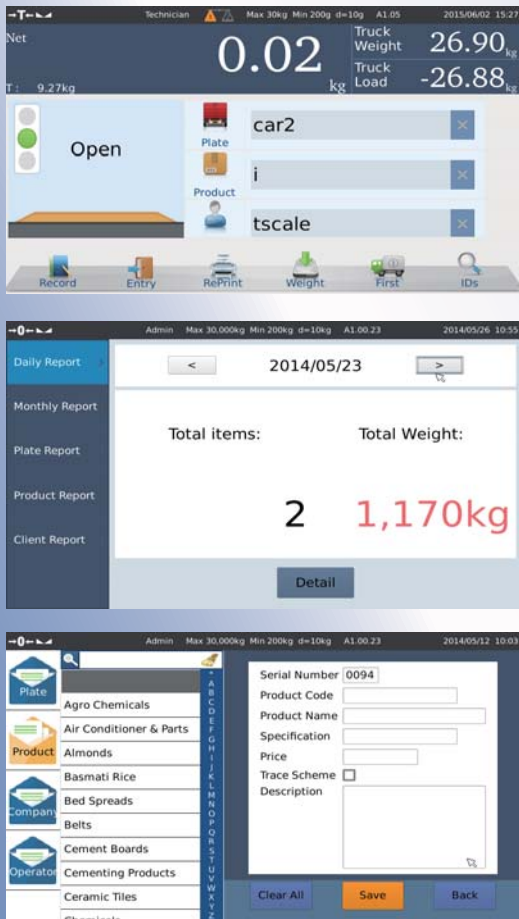
Perfectly Computerized for Truck Weighing management and control

Make your business more efficient and competitive



- Quick and easy to use high definition touchscreen display
- Accurate, fast and stable PowerAD weighing technology.
- Diversified weighing application software
- Graphic interactive operation increase productivity
- Multilingual information management system
- Versatility and customization in receipts and labels
- Weighing data can be integrated and SYNC by WiFi.





- **Graphic operation interface**

Graphic interactive operation interface, quick and easy to use. It help you increase productivity and avoid mistakes.

- **Multilingual information management system**

Computerized product management system, easily input and call out PLU. It support multi-language operating environment.

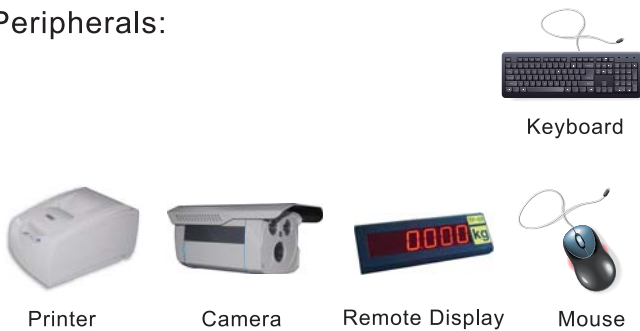
- **Customized daily and product report**

It support produce diversified daily reports and product report on screen or export to a PC software.

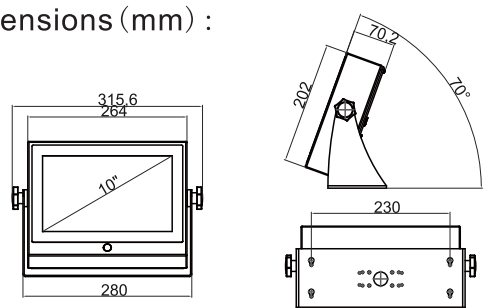
- **Versatility in receipts and labels**

By RS-232, It can connected to a ticket or label printer. Many ticket and label formats can be selected from display. Also Customized printing format available for different customers' needs.

Peripherals:



Dimensions (mm) :



Model	S10-50 Truck Indicator
Housing	SST
Panel	Resistance touchscreen
Display	10 inch 1280X800 color LCD display
Resolution	1/1 million
Operating System	TOS 2.0 Embedded system Option :Win CE ssystem
Memory	RAM: 1GB Flash: 1 GB
Ports	2 x USB, 1 x RS-232, 1 x RJ45, 1 x RS-485/422/232
Battery	Rechargeable battery for 15 hours continue use(Optional)

Distributor: